

#UP1025

T-shirt dress

This casual T-shirt dress features a relaxed silhouette, a sensible knee length, and a classic crew neck. It looks good in plain colors or with a print and is easy to style with a jeans jacket. Perfect for a quick and easy sewing project.

1 cm seam allowance included!



Material

- 160 x 150 cm of 30-40% stretch jersey with spandex
- All-purpose thread
- Stretch needle
- Twin stretch needle

Print & Assemble

- First, be sure to use ACROBAT READER to open your PDF sewing patterns. It's free!
- Then, open your file and click on the LAYERS icon (left side of the screen) and uncheck all the sizes you won't need.
- Now, click on the PRINT icon at the top of the screen. The print settings will appear, so verify that the ACTUAL SIZE option is checked. Click on the PRINT button!
- A 5 x 5 cm (and 2 x 2") control square is provided to ensure that your pattern is true to size.
- To ASSEMBLE, cut the sheets at the bottom and right margins, as indicated. Each sheet is labelled with a letter and a number (A1, B2...), so tape them together in numerical and alphabetical order. The sheets on one row should have the same letter, and the ones on the same column should have the same number.

Sizing Guide

	XXS	XS	S	M	L	XL	XXL
Bust	85 cm	89 cm	93 cm	99 cm	105 cm	113 cm	121 cm
Waist	64 cm	68 cm	72 cm	78 cm	84 cm	92 cm	100 cm
Hips	92 cm	96 cm	100 cm	106 cm	112 cm	120 cm	128 cm

Garment measurements

- **Length:** approx. 97 cm

This pattern is drafted according to a standard height of **1.64 m**.

#UP1025

T-shirt dress

Sewing Assembly

Unless otherwise specified, sew using a **1 cm** wide seam allowance.

1. Sew the shoulders.
2. Make and attach the neckband (stretch to fit).
3. Attach the sleeves.
4. Sew the front and back at the side and underarm seams.
5. Hem the bottom of the dress and the sleeves (turn once 3 cm).

Pattern Pieces

- Front, 1x fabric
- Back, 1x fabric
- Neckband, 1x fabric
- Sleeve, 2x fabric



Share a photo of you
wearing proudly
your new T-shirt dress
with

#unfetteredpatterns!



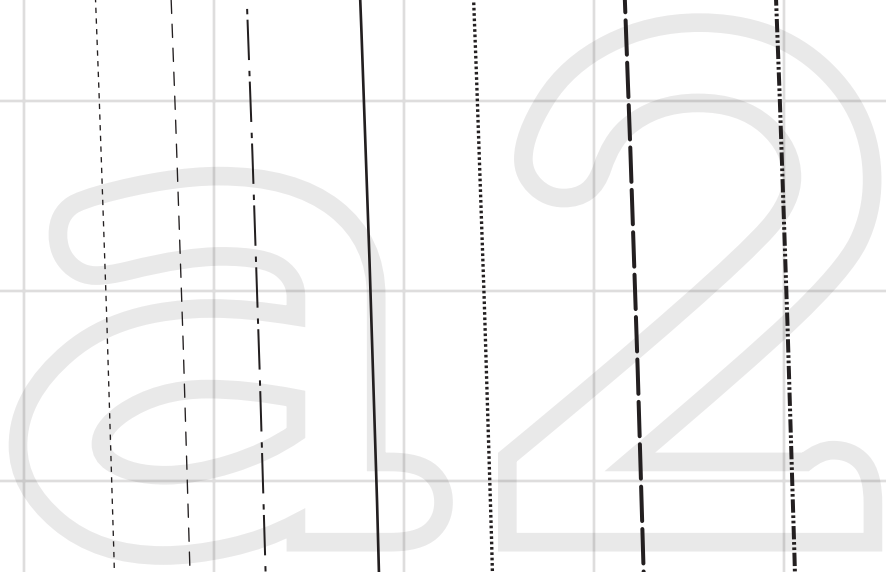
Hem allowance 3 cm



Cut on this line

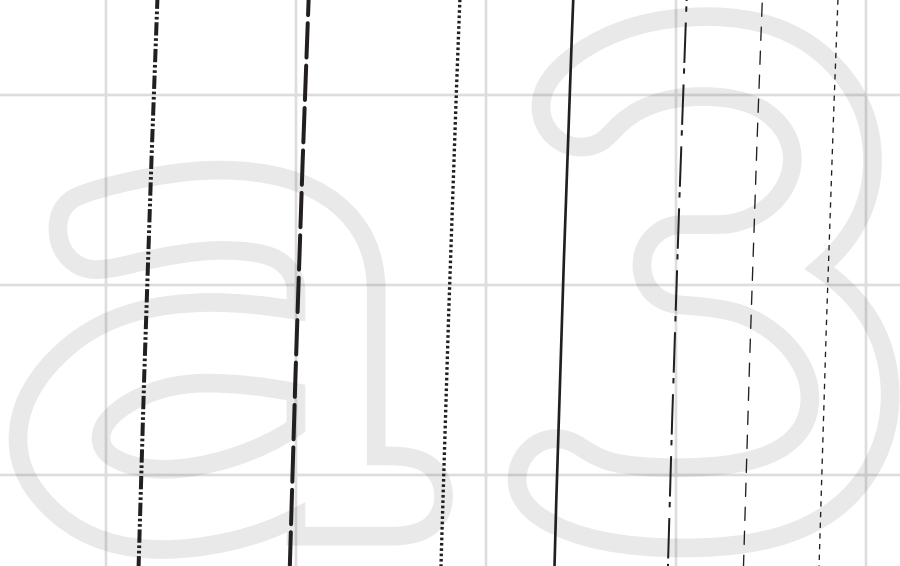
Cut on this line

Cut on this line



Cut on this line

Cut on this line



Cut on this line

Hem allowance 3 cm

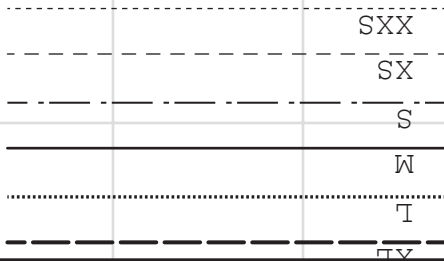


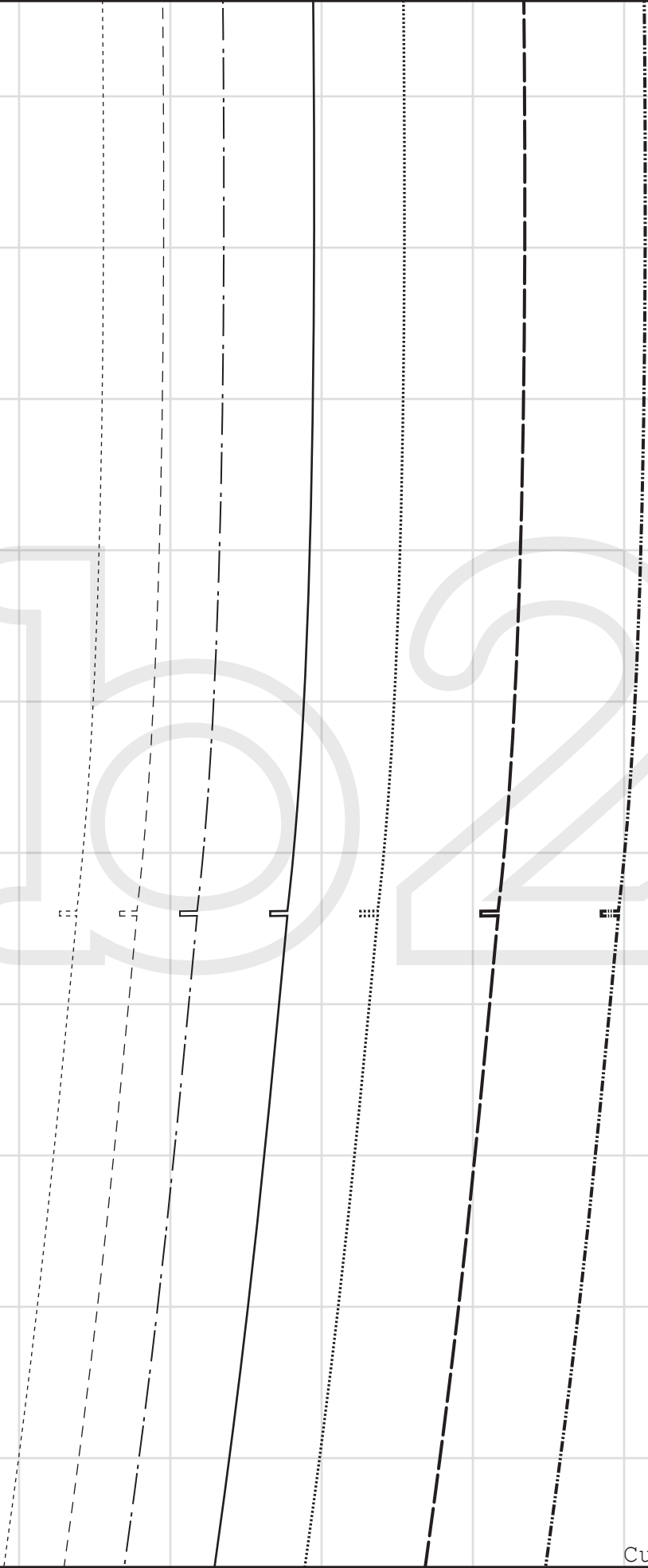
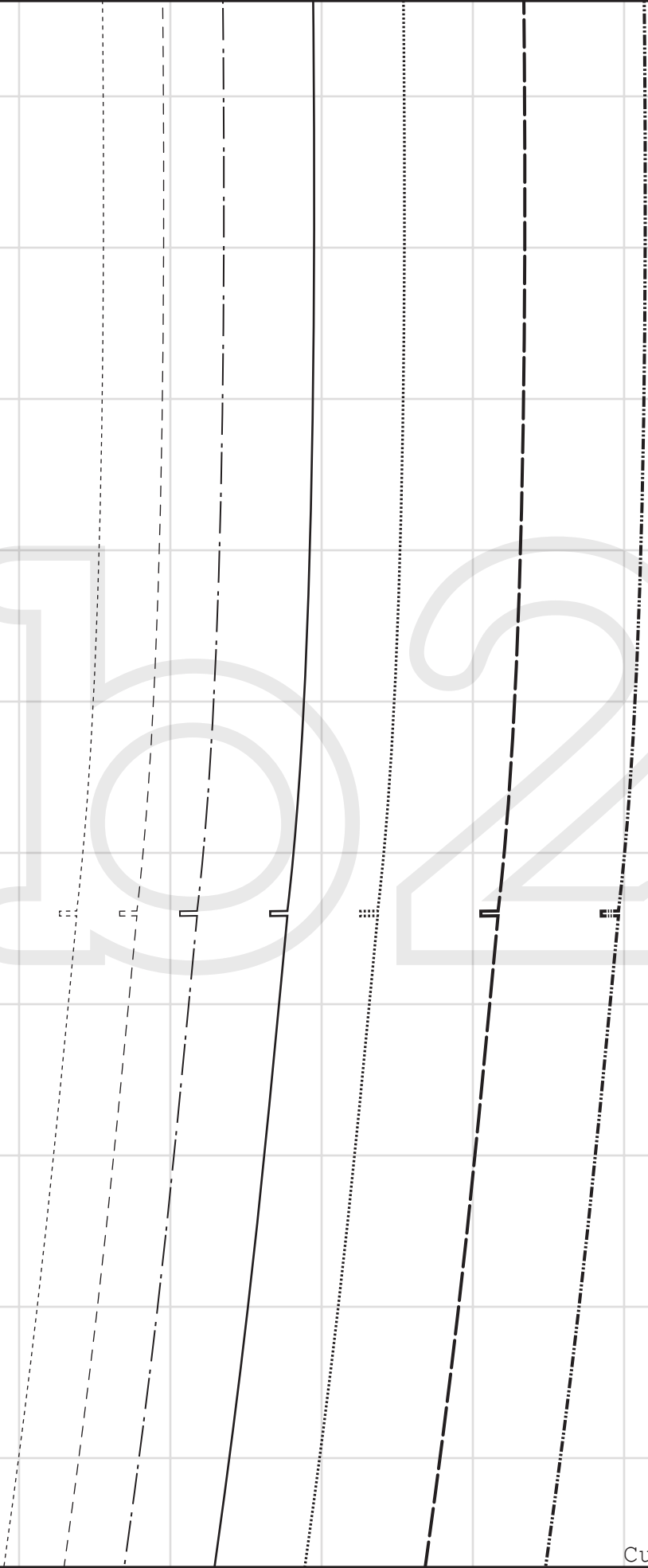
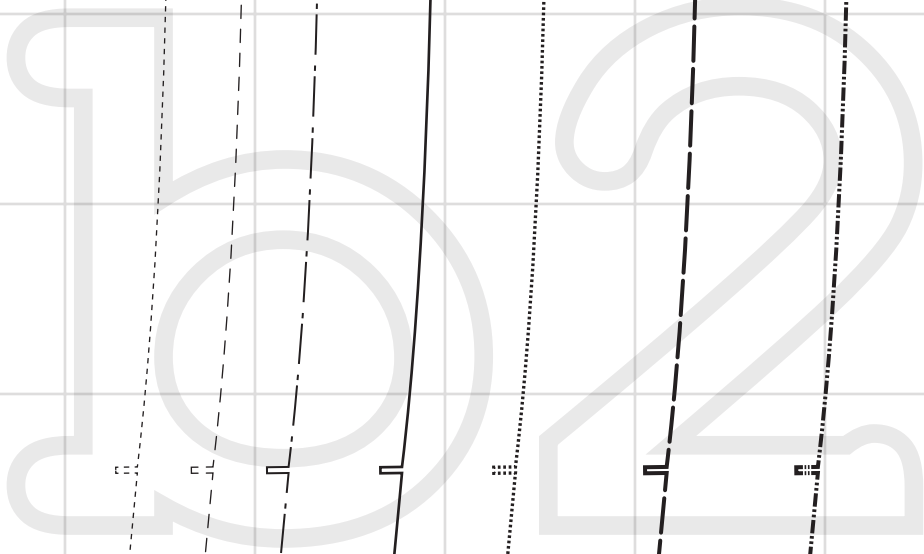
Cut on this line

Cut on this line



Cut on this line

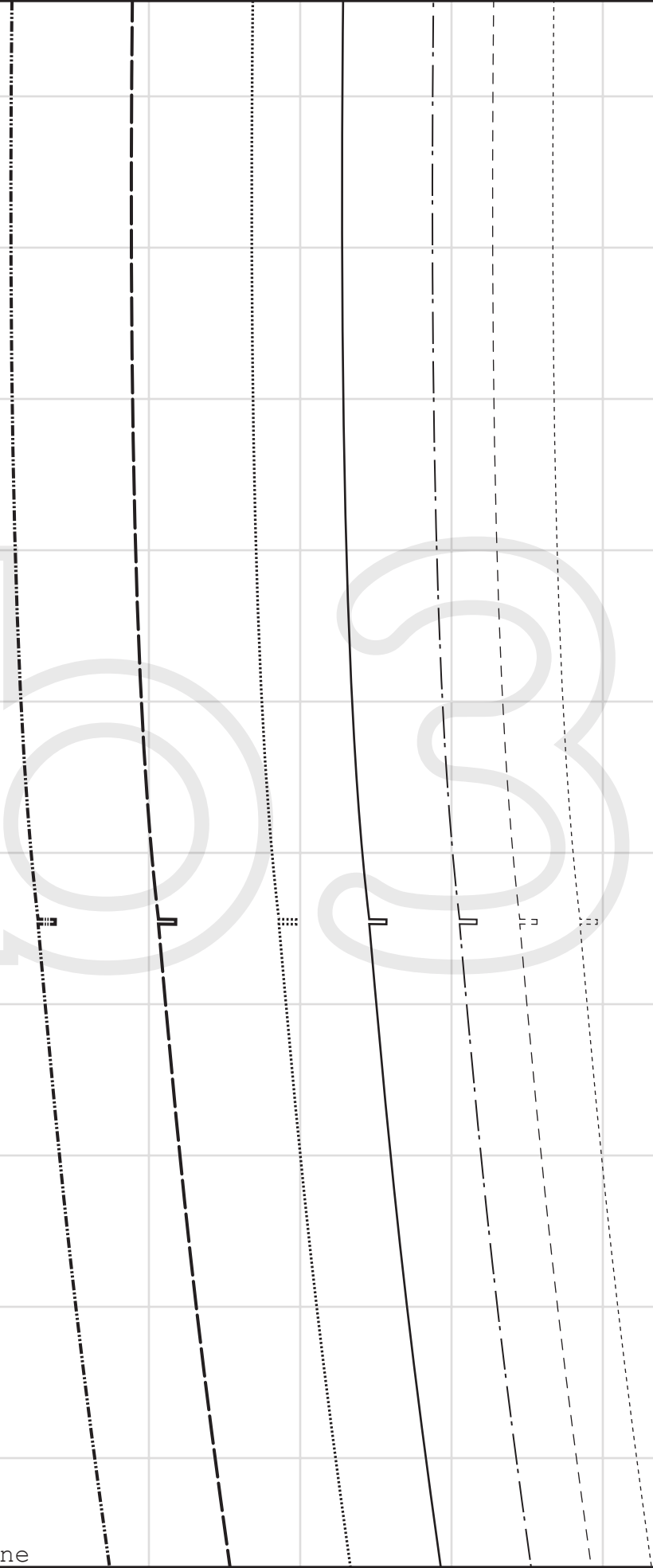
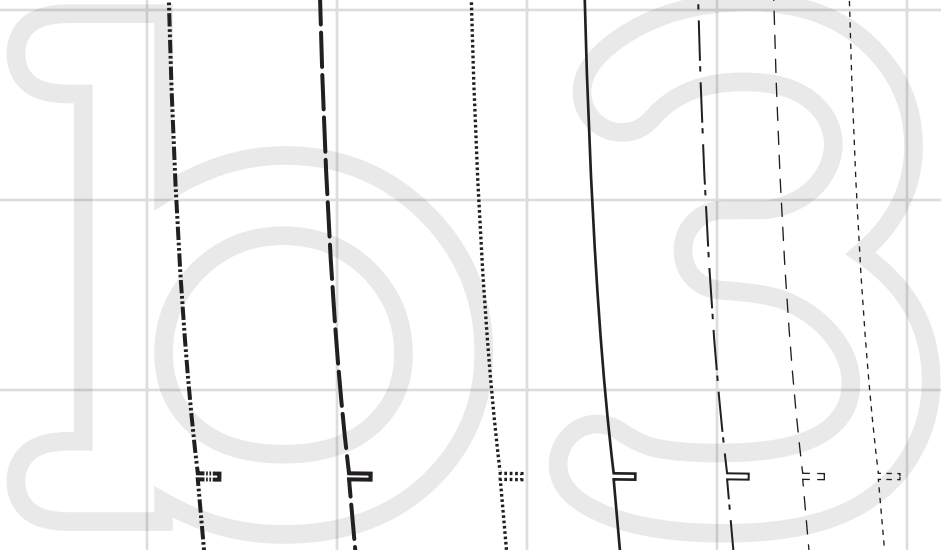




Cut on this line

Cut on this line

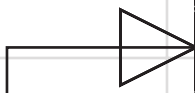
Cut on this line



Cut on this line

104

-----SXX
-----SX
-----S
-----W
-----T
-----TX
-----TXX



Cut on this line

Cut on this line

XXL

SIZE KEY



Front
Cut 1x fabric

Model #UP1025
Sizes XXS-XXL

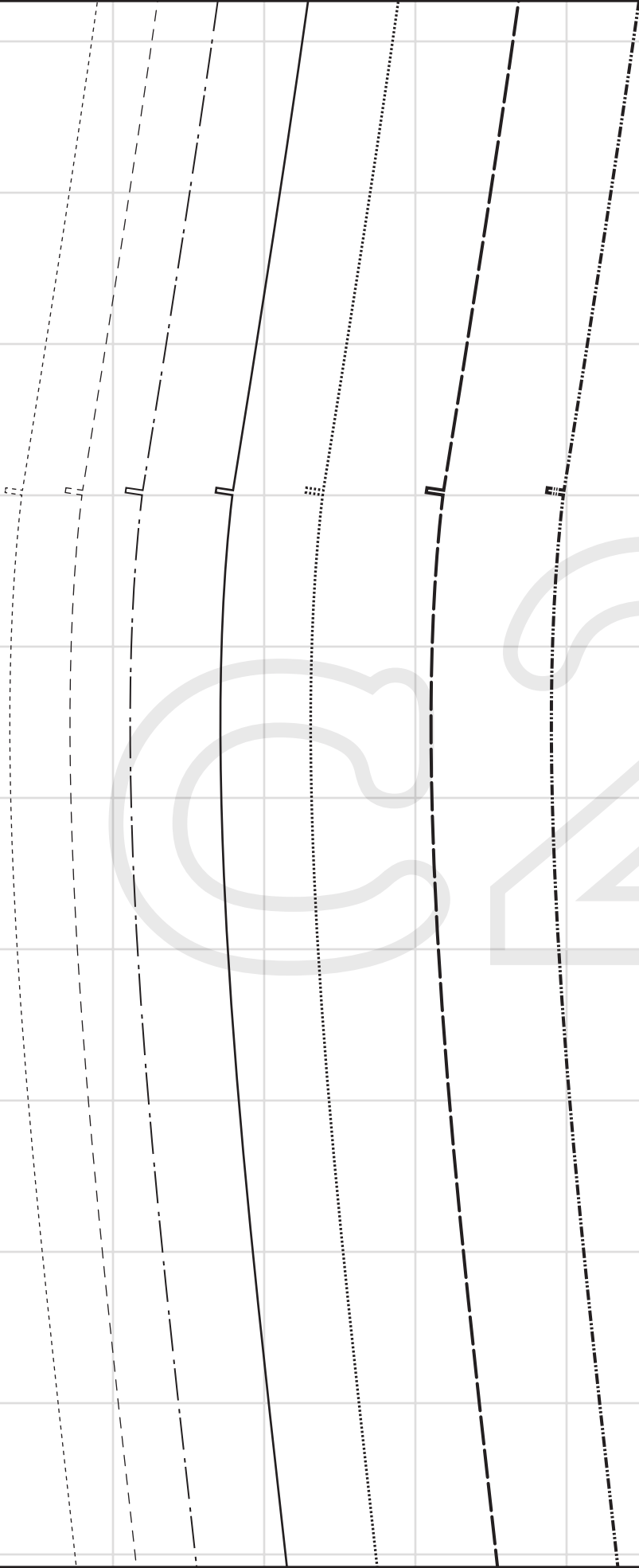
unfettered patterns .com
unfettered patterns

Cut this edge

on the fold of the fabric



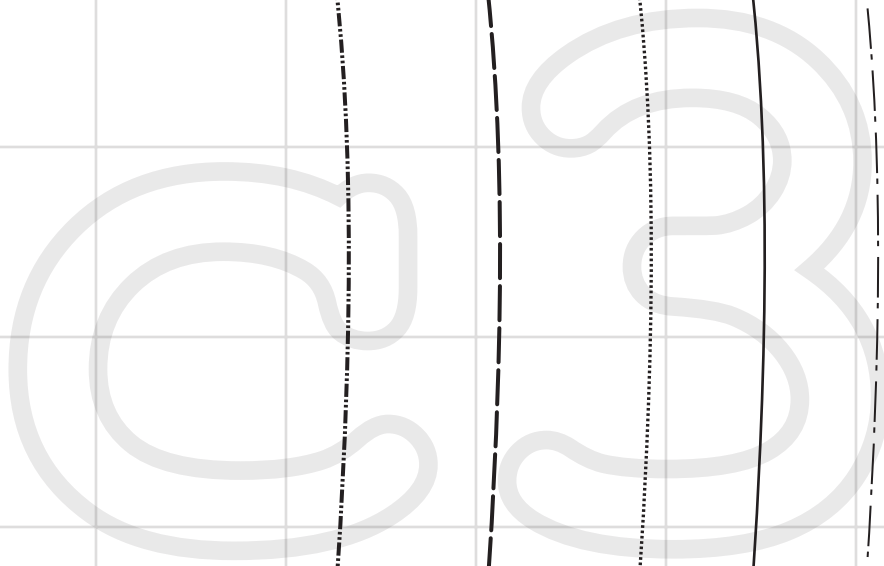
Cut on this line



Cut on this line

Cut on this line

Cut on this line



Cut on this line

SIZE KEY



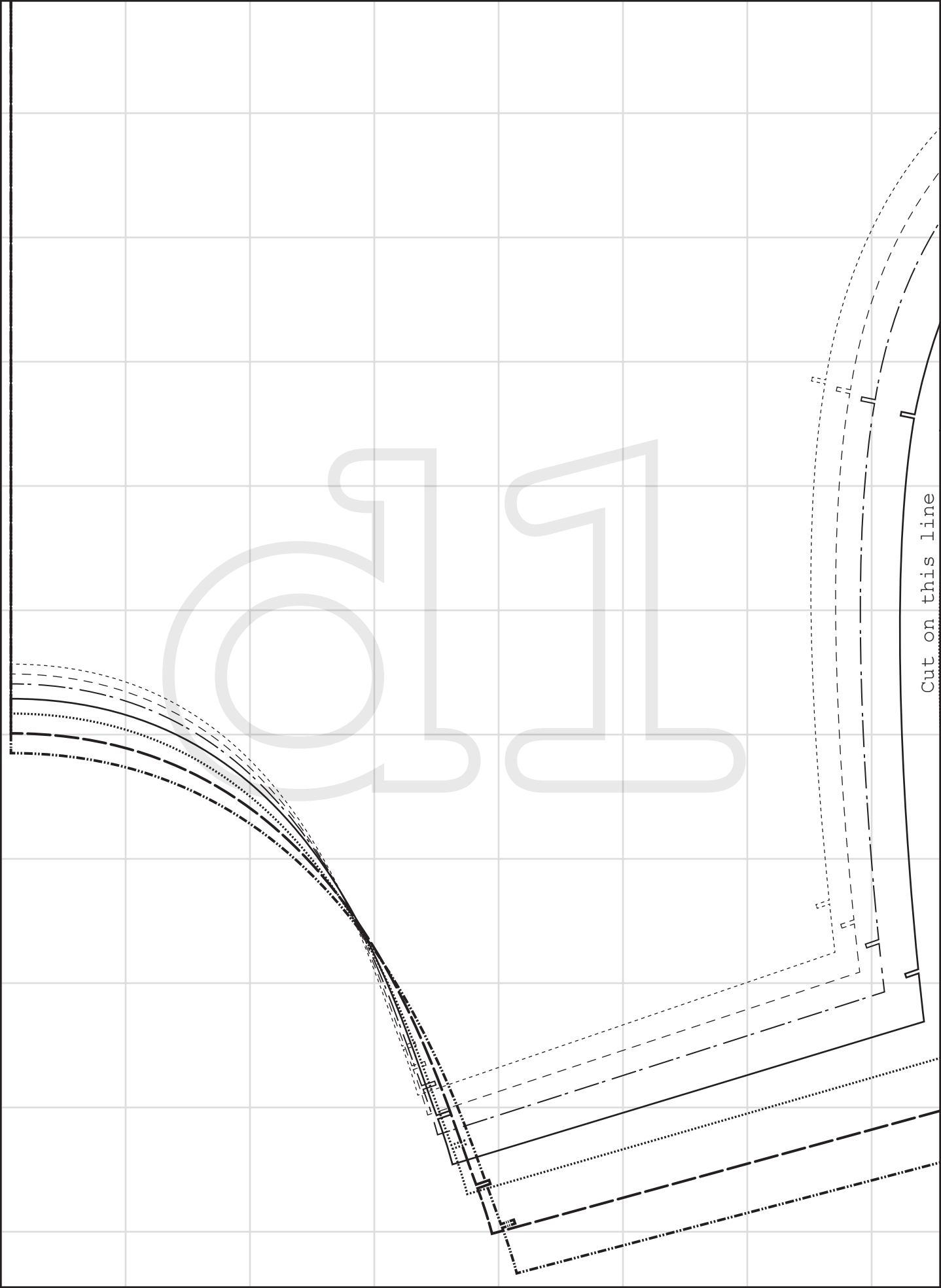
Cut this edge
on the fold of the fabric



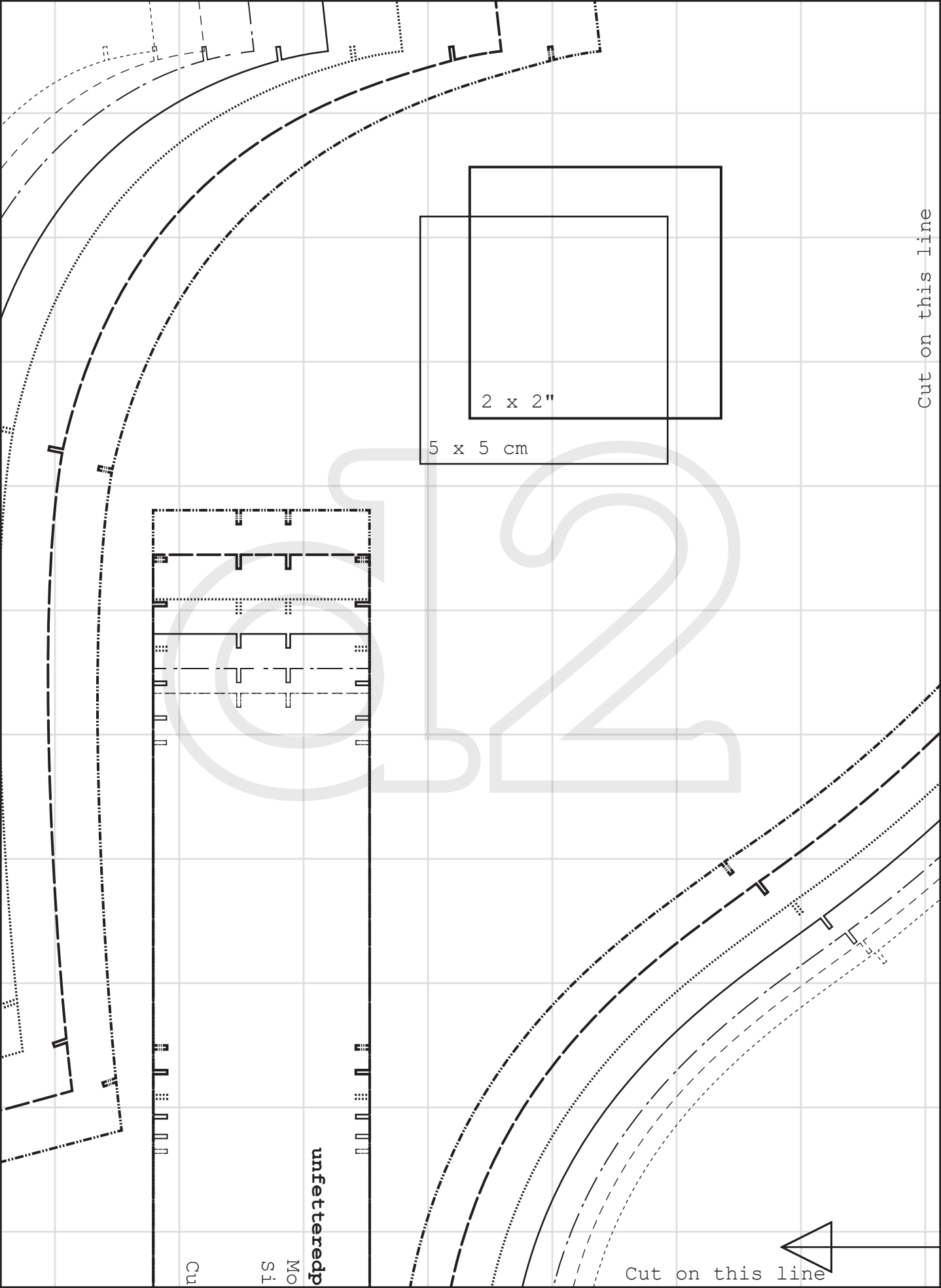
unfettered
—unfettered patterns—

unfetteredpatterns.com
Model #UP1025
Sizes XXS-XXL
Back
Cut 1x fabric

Cut on this line



Cut on this line



Cut on this line

$2 \times 2''$

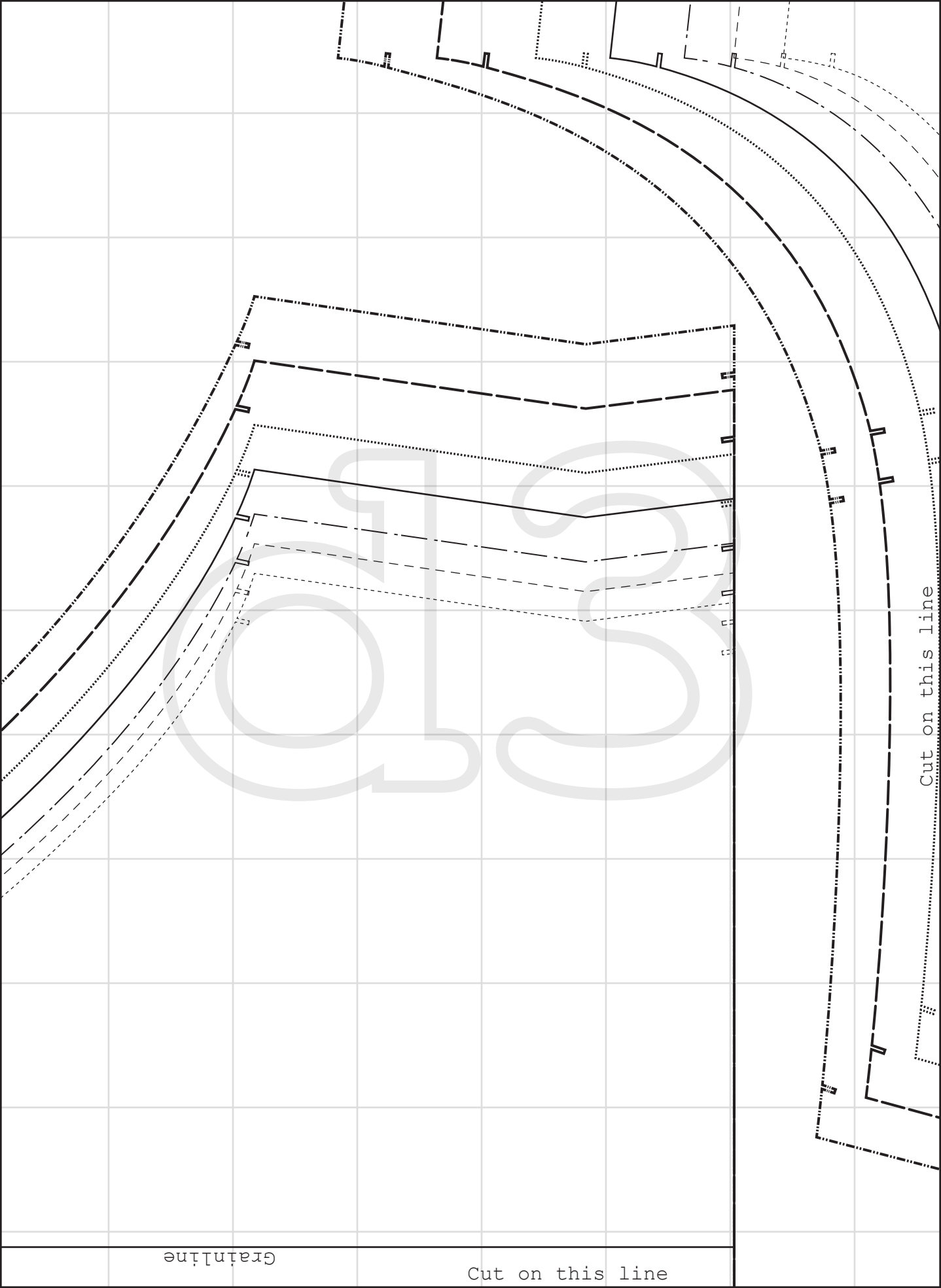
$5 \times 5 \text{ cm}$

unfetteredp

Cu
Mo
Si

Cut on this line



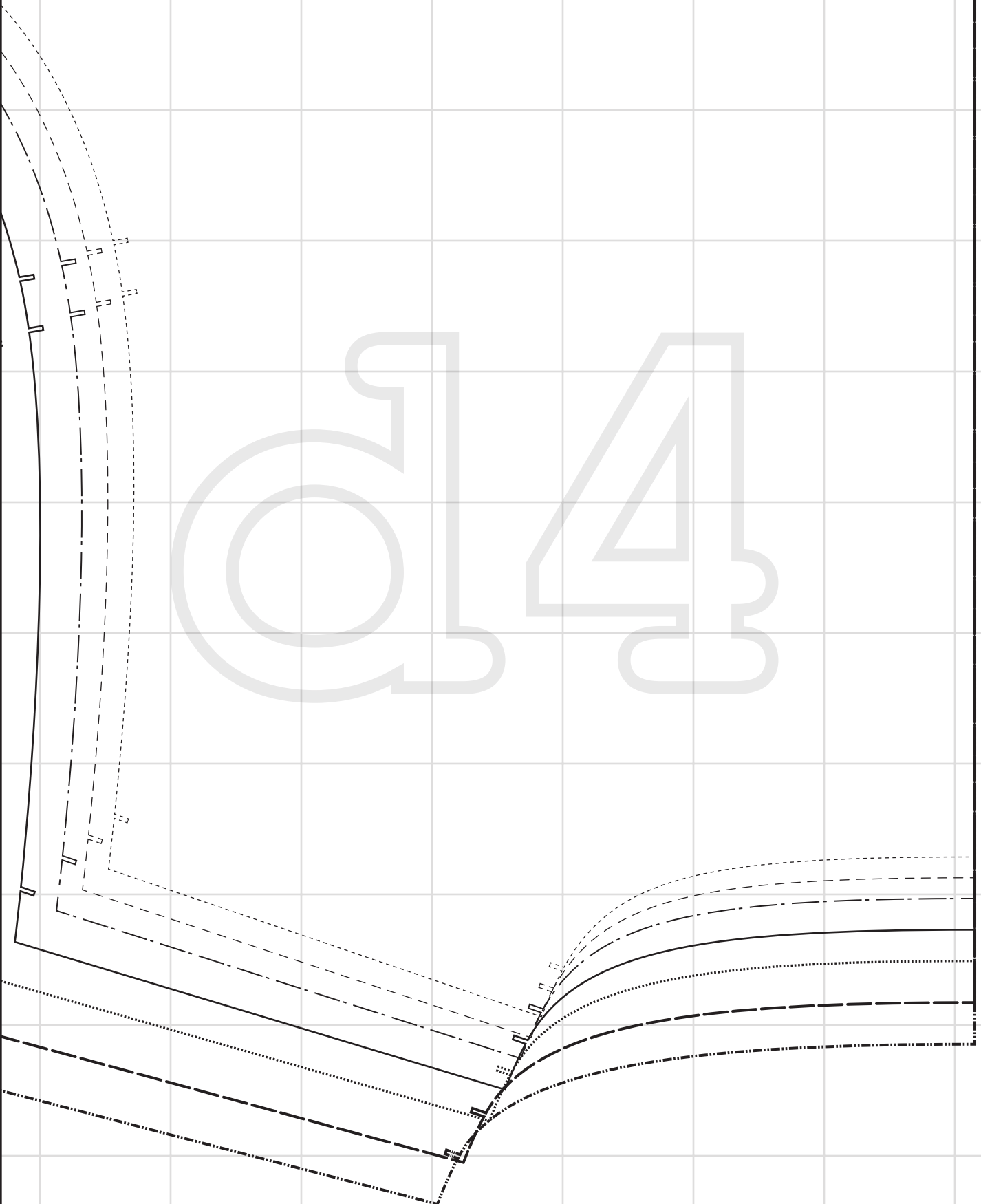


Grainline

Cut on this line

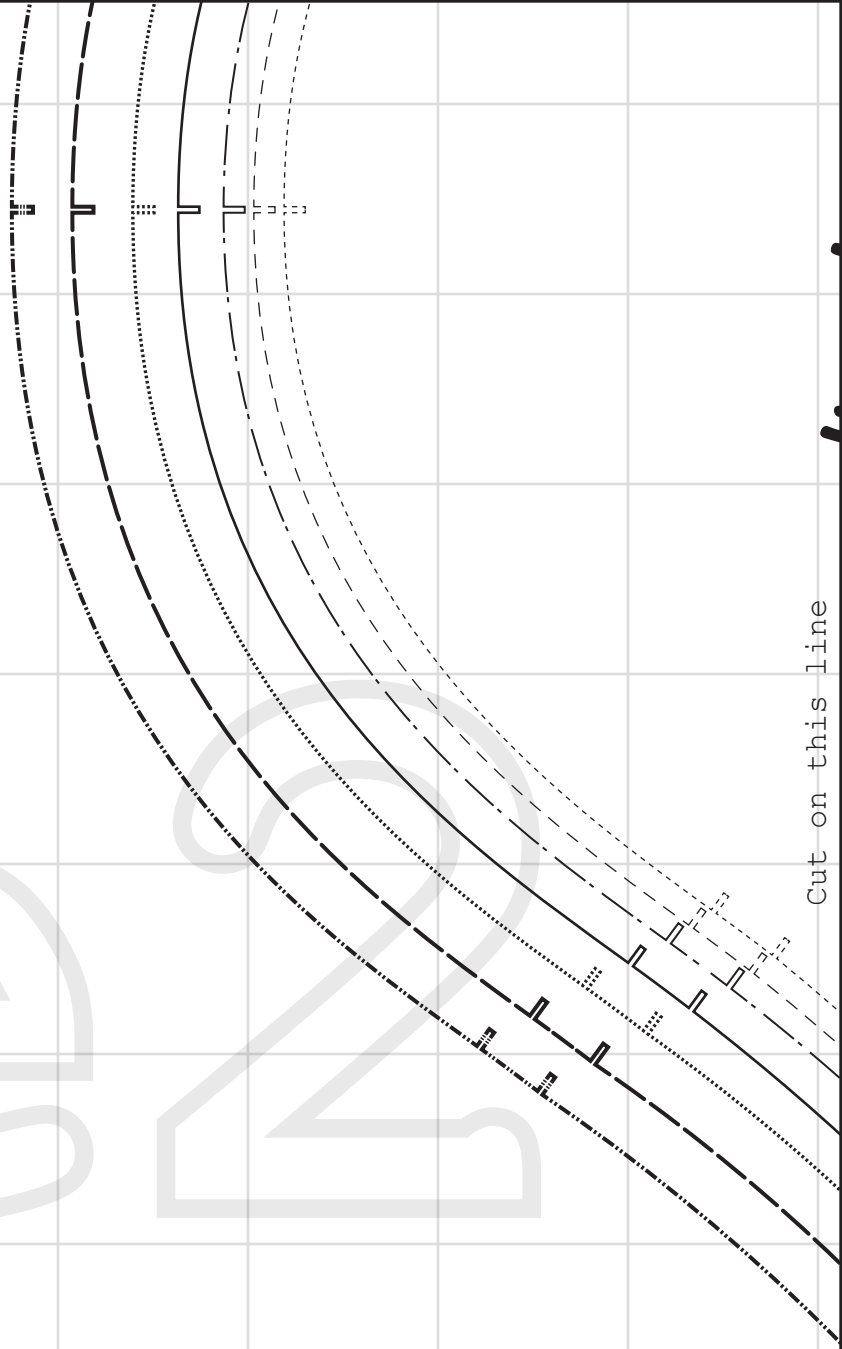
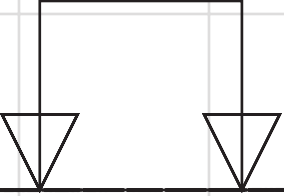
Cut on this line

014



patterns.com
Model #UP1025
Sizes XXS-XXL
Neckband
1x fabric

Cut this edge
on the fold
of the fabric



Cut on this line

unfettered
— unfettered patterns —

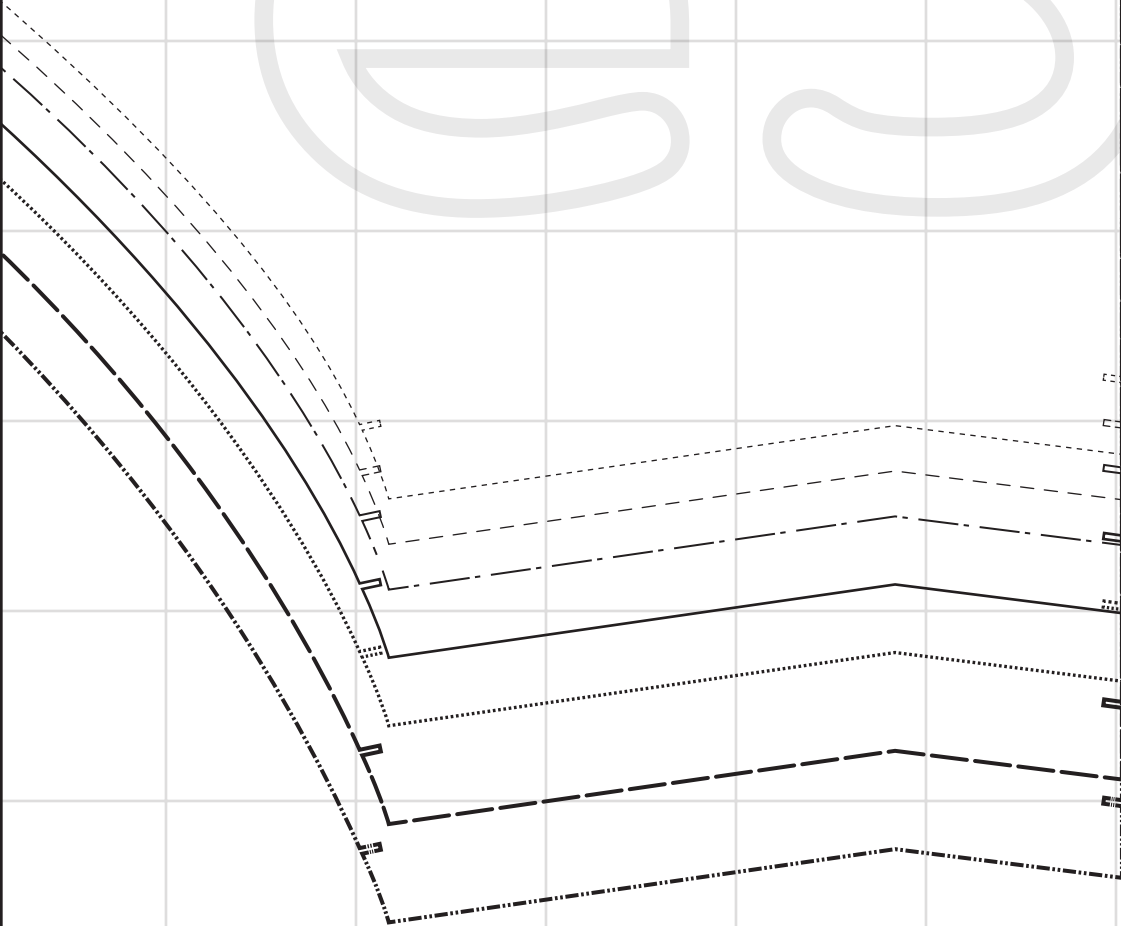
unfetteredpatterns.com

Model #UP1025

Sizes **XXS-XXL**

Sleeve

Cut 2x fabric



Hem allowance 3 cm